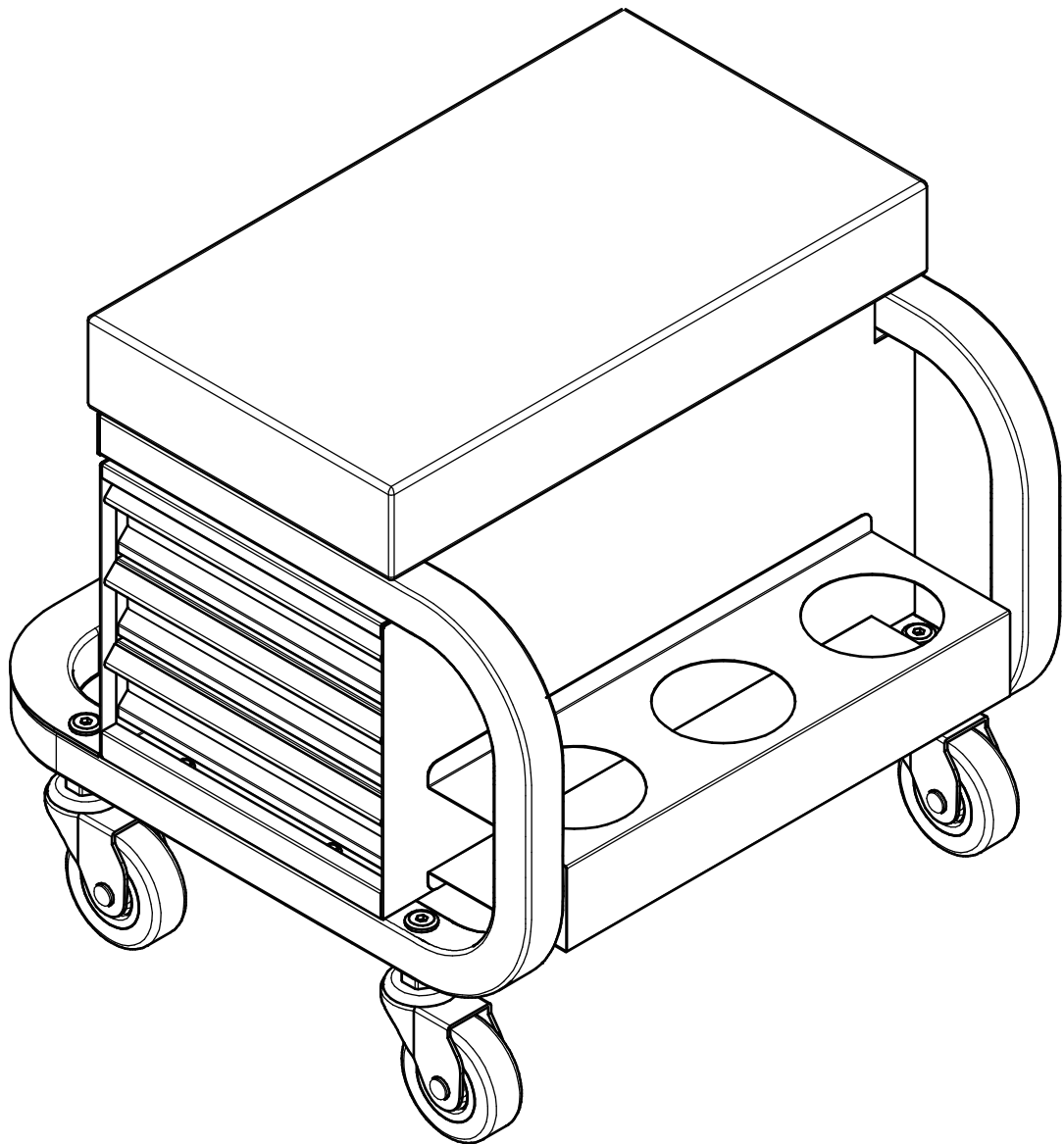




SPS600

Mechanics Seat with Toolbox





WARNING: Before using this appliance, read this Operator's Manual and follow all its Safety Rules and Operating Instructions.



WARNING !

READ, STUDY AND UNDERSTAND ALL WARNINGS BEFORE USING. PERSONAL INJURY AND UNIT DAMAGE COULD OCCUR IF INSTRUCTIONS ARE NOT FOLLOWED.

- ▶ DO NOT OVERLOAD DRAWERS.
- ▶ DO NOT OPEN MORE THAN ONE LOADED DRAWER AT A TIME, TIPPING MAY OCCUR.
- ▶ TO PREVENT POSSIBLE DAMAGE TO THE UNIT, CLOSE LID AND MAKE SURE DRAWERS AND DOORS ARE IN THE LOCKED POSITION BEFORE ATTEMPTING TO MOVE.
- ▶ DO NOT STAND ON THE PRODUCT. DO NOT STEP IN THE DRAWERS. YOU MAY FALL WHICH MAY CAUSE PERSONAL INJURY AND/OR PROPERTY DAMAGE.
- ▶ DO NOT MOUNT THE PRODUCT ON TRUCK BED OR ANY OTHER MOVING OBJECT.
- ▶ APPLY BRAKES ON SWIVEL CASTERS WHEN NOT MOVING UNIT.
- ▶ DO NOT PULL. PUSH TO MOVE.
- ▶ LUBRICATE THE TOP AND BOTTOM CHANNELS OF THE DRAWER SLIDES AT LEAST TWICE A YEAR.

WARRANTY

ONE YEAR LIMITED WARRANTY

For a period of one year from date of purchase, the manufacturer will repair or replace, at its option, without charge, any of its products which fail due to a defect in material or workmanship, or which fail to conform to any implied warranty not excluded hereby.

Performance of any obligation under this warranty may be obtained by returning the warranted product, including dated purchase receipt, to the retailer or distributor where the product was purchased.

For warranted service during the warranty period, the product must be returned to the retailer. Consumers should only submit product for repair directly to a warranty repair facility after the product warranty has expired.

To request warranty service department at ***www.sgs-engineering.com***

ALL WARRANTY SERVICE DURING THE WARRANTY PERIOD MUST BE HANDLED DIRECTLY THROUGH THE RETAILER.

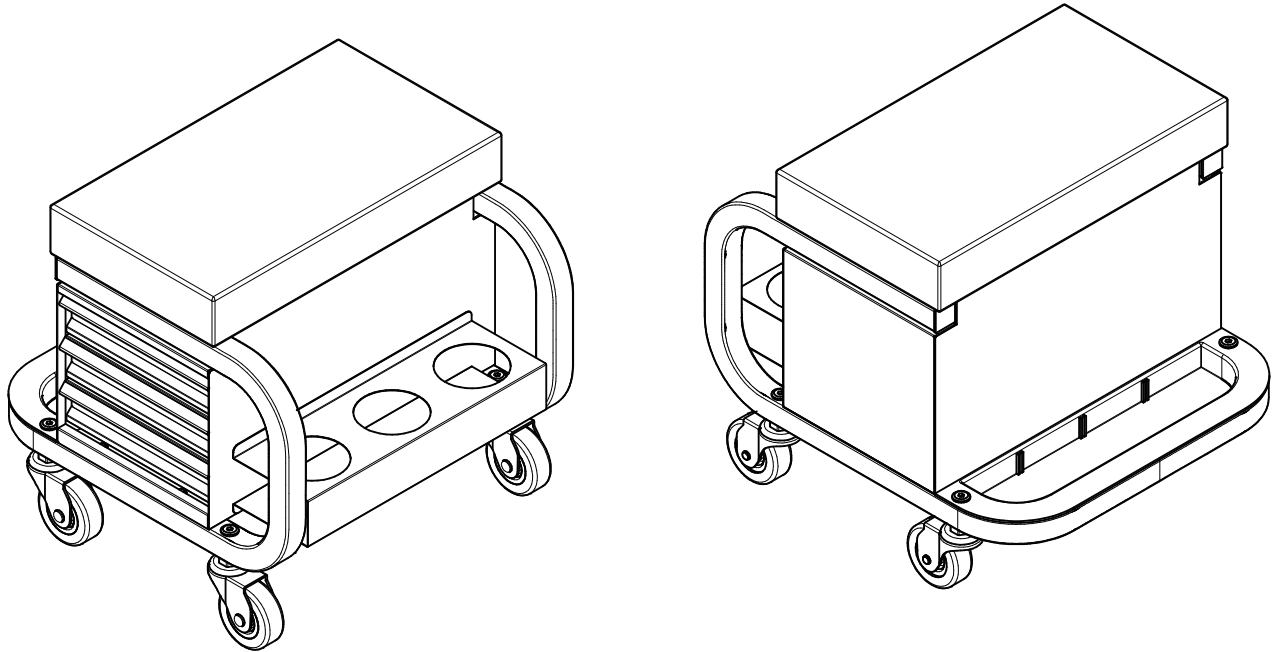
Except where such limitations and exclusions are specifically prohibited by applicable law, (1) the CONSUMER'S SOLE AND EXCLUSIVE REMEDY SHALL BE THE REPAIR OR REPLACEMENT OF DEFECTIVE PRODUCTS AS DESCRIBED ABOVE, and (2) THE MANUFACTURER SHALL NOT BE LIABLE FOR ANY CONSEQUENTIAL OR INCIDENTAL DAMAGE OR LOSS WHATSOEVER, and (3) THE DURATION OF ANY AND ALL EXPRESSED AND IMPLIED WARRANTIES, INCLUDING, WITHOUT LIMITATION, ANY WARRANTIES OF MERCHANTABILITY AND FITNESS FOR A PARTICULAR PURPOSE, IS LIMITED TO A PERIOD OF ONE YEAR FROM DATE OF PURCHASE.

This warranty gives you specific legal rights, and you may also have other rights which vary from state to state.

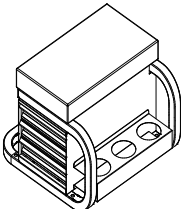
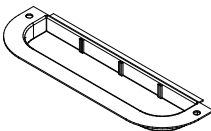
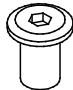
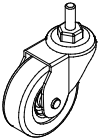
PARTS LIST



Read all instructions and safety tips before using this product.



HARDWARE CONTENTS

PD2016A	Box	Plastic trays	M8 Inner hexagon nut	3" Universal Wheel
				
Number	1	1	4	4



1 West Side Park, Belmore Way, Raynesway, Derby, DE21 7AZ